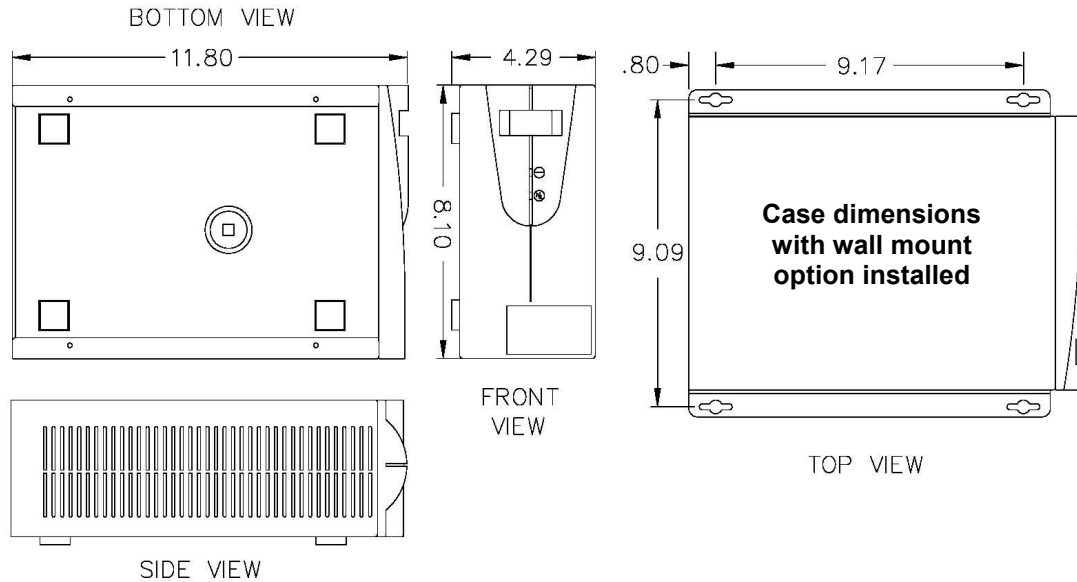


## North American Medical Power Conditioners - "C" Case Enclosure



	<b>ABC200-11MED</b> Part # 93049-XXR	<b>ABC300-11MED</b> Part # 93050-XXR	<b>ABC400-11MED</b> Part # 93051-XXR	<b>ABC500-11MED</b> Part # 93060-XXR	<b>ABC600-11MED</b> Part # 93072-XXR
<b>VA Rating</b>	240	360	480	600	720
<b>Frequency</b>	60 Hz.	60 Hz.	60 Hz.	60 Hz.	60 Hz.
<b>BTU/Hr. Output</b>	82	86	115	123	147
<b>T.H.D. % Added</b>	<1%	<1%	<1%	<1%	<1%
<b>Load Surge Current @</b>					
<b>1/2 cycle</b>	38 amps	82 amps	125 amps	175 amps	215 amps
<b>1 second</b>	14 amps	28 amps	60 amps	84 amps	102 amps
<b>10 seconds</b>	6 amps	10 amps	17 amps	24 amps	30 amps
<b>Input Voltage</b>	120	120	120	120	120
<b>Output Voltage</b>	120	120	120	120	120
<b>Output Current</b>	2.0 amps	3.0 amps	4.0 amps	5.0 amps	6.0 amps
<b>Efficiency</b>	90%	94%	93%	94%	94%
<b>Voltage Drop No Load to Full Load</b>	9%	6%	7%	6%	6%
<b>Earth Leakage</b>	< 300 μamps	< 300 μamps	< 300 μamps	< 300 μamps	< 300 μamps
<b>Wall mountable*</b>	Yes	Yes	Yes	Yes	Yes
<b>Compliance</b>	UL60601-1 CSA 22.2 No. 60601.1 RoHS	UL60601-1 CSA 22.2 No. 60601.1 RoHS	UL60601-1 CSA 22.2 No. 60601.1 RoHS	UL60601-1 CSA 22.2 No. 60601.1 RoHS	UL60601-1 CSA 22.2 No. 60601.1 RoHS
<b>Shipping Weight (lbs.)</b>	18	18	23	23	23

\* Add W to model number for wallmount

## North American Medical Conditioners - "C" Case Enclosure

### POWERVER Part #

**ABC200-11MED—93049-XX\*\*R**

**ABC300-11MED—93050-XX\*\*R**

**ABC400-11MED—93051-XX\*\*R**

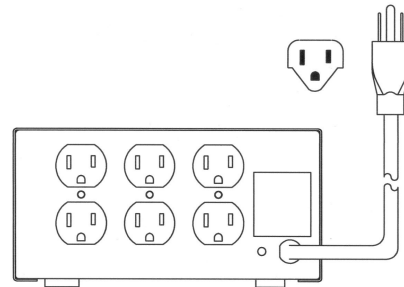
**ABC500-11MED - 93060-XX\*\*R**

**ABC600-11MED—93072-XX\*\*R**

\*\*When ordering, add two digit number from below in place of **XX** to specify receptacle option desired.

### Hospital Grade Plugs/Receptacles

- 13 - 5-15P plug and three 5-15R duplex hospital grade
- 33 - 5-15P plug and three 5-15R duplex hospital grade with wallmount adapter



### Important Product Note

All POWERVER North American medical power conditioners are equipped with hospital grade plugs and hospital grade receptacles and are listed to UL60601-1 and CSA 22.2 No. 60601. Medical power conditioners are designed for use in "patient vicinity" applications where safety concerns require earth leakage currents to be less than 300  $\mu$  amps.

**NOISE REJECTION-ISOLATION:** With unit under power and an ANSI/IEEE C62.41Cat. A pulse applied either normal or common mode at the input, the noise output voltage will be less than 10V normal mode and less than 0.5V common mode in all four quadrants (CM-NM, NM-NM, CM-CM, NM-CM).

**SURGE VOLTAGE WITHSTAND CAPABILITY:** Tested under power to ANSI/IEEE C62.41 Cat. A & B (formerly IEEE587-1980). Cat. A - 6000V @ 200 amps, 0.5 usec risetime, 100 kHz decay, Cat. B - 6000V @ 500 amps, 0.5 usec risetime, 100 kHz decay.

**Warranty/Support:** POWERVER warrants its power conditioners to be free from defects in materials and workmanship for a period of five years from the date of shipment. For North American service or support on any POWERVER product, please contact POWERVER Technical Support at (800) 369-7179 (in Illinois call (847-596-7000)). For service and support in EMEA, contact POWERVER, Ltd. in the United Kingdom at +44 (0) 1793 553980. Or visit the POWERVER website at [www.powervar.com](http://www.powervar.com).

**POWERVER, Inc. - 1450 Lakeside Drive, Waukegan, IL 60085**

**POWERVER, Ltd. - Unit 5 Birch, Kembrey Park, Swindon, Wiltshire, UK SN2 8UU**