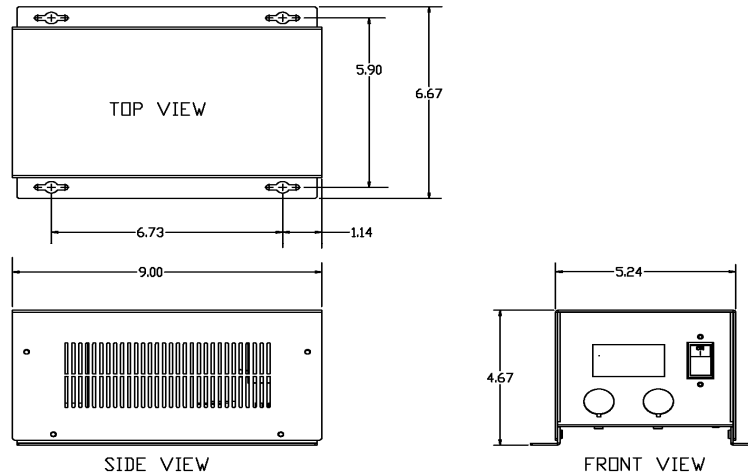


## North American Hard Wired Conditioners



	ABC150-11HW Part # 61018-40R	ABC201-11HW Part # 61024-40R	ABC302-11HW Part #61036-40R	ABC500-11HW Part # 61060-40R
VA Rating	180	240	360	600
Frequency	60 Hz.	60 Hz.	60 Hz.	60 Hz.
BTU/Hr. Output	62	82	123	123
T.H.D. % Added	<1%	<1%	<1%	<1%
Load Surge Current @				
1/2 cycle	28 amps	38 amps	82 amps	175 amps
1 second	10 amps	14 amps	28 amps	84 amps
10 seconds	4.5 amps	6.0 amps	10 amps	24 amps
Input Voltage	120	120	120	120
Output Voltage	120	120	120	120
Output Current	1.5 amps	2.0 amps	3.0 amps	5.0 amps
Efficiency	90%	90%	90%	94%
Voltage Drop No Load to Full Load	10%	9%	6%	6%
Wall mountable	Yes	Yes	Yes	Yes
Compliance	UL, cUL, RoHS	UL, cUL, RoHS	UL, cUL, RoHS	UL, cUL, RoHS
Shipping Weight (lbs.)	9	10	12	15

**NOISE REJECTION-ISOLATION:** With unit under power and an ANSI/IEEE C62.41Cat. A pulse applied either normal or common mode at the input, the noise output voltage will be less than 10V normal mode and less than 0.5V common mode in all four quadrants (CM-NM, NM-NM, CM-CM, NM-CM).

**SURGE VOLTAGE WITHSTAND CAPABILITY:** Tested under power to ANSI/IEEE C62.41 Cat. A & B (formerly IEEE587-1980). Cat. A - 6000V @ 200 amps, 0.5 usec risetime, 100 kHz decay, Cat. B - 6000V @ 500 amps, 0.5 usec risetime, 100 kHz decay.

**Warranty/Support:** POWERVAR warrants its power conditioners to be free from defects in materials and workmanship for a period of five years from the date of shipment. For North American service or support on any POWERVAR product, please contact POWERVAR Technical Support at (800) 369-7179 (in Illinois call (847-596-7000)). For service and support in EMEA, contact POWERVAR, Ltd. in the United Kingdom at +44 (0) 1793 553980. Or visit the POWERVAR website at [www.powervar.com](http://www.powervar.com).